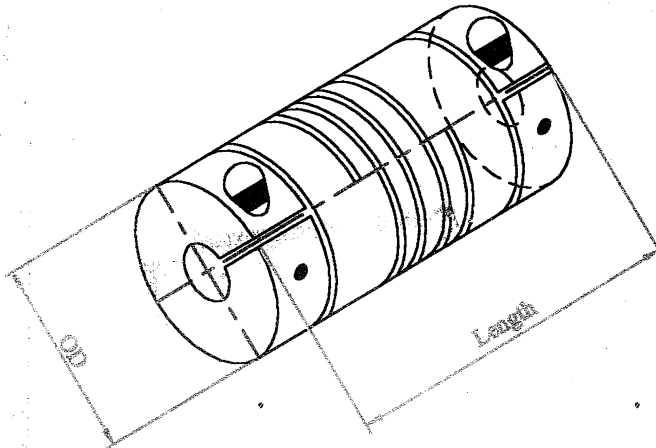


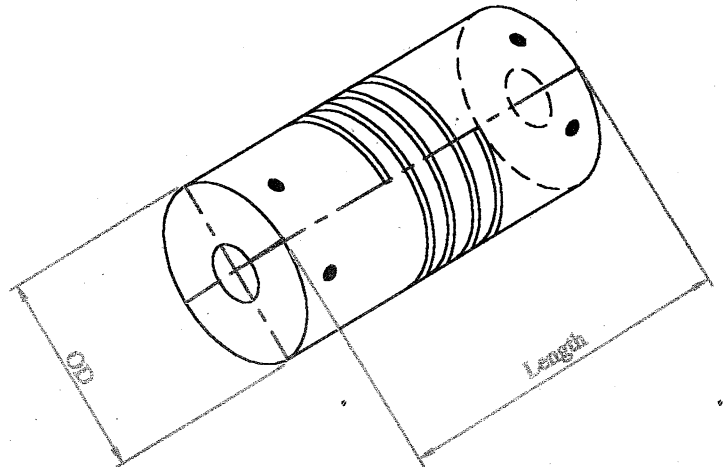
V.V. MUJUMDAR & ASSOCIATES

DUROFLEX Helical beam coupling

Hub clamping by integral clamp



Hub clamping by grub screws



Integral clamp	Grub Screw	Outside Diameter	Length	Clamp Screw Size	Grub Screw Size	Bore Size
	DG15	15	20		M3	4-6
DC20		20	32	M3		6-8
	DG20	20	22		M3	6-8
DC25		25	32	M3		6-10
	DG25	25	24		M3	6-10
DC30		30	35	M4		10-15
	DG30	30	30		M4	10-14
DC35		35	45	M4		14-22
	DG35	35	40		M4	14-22

All dimensions are in mm.